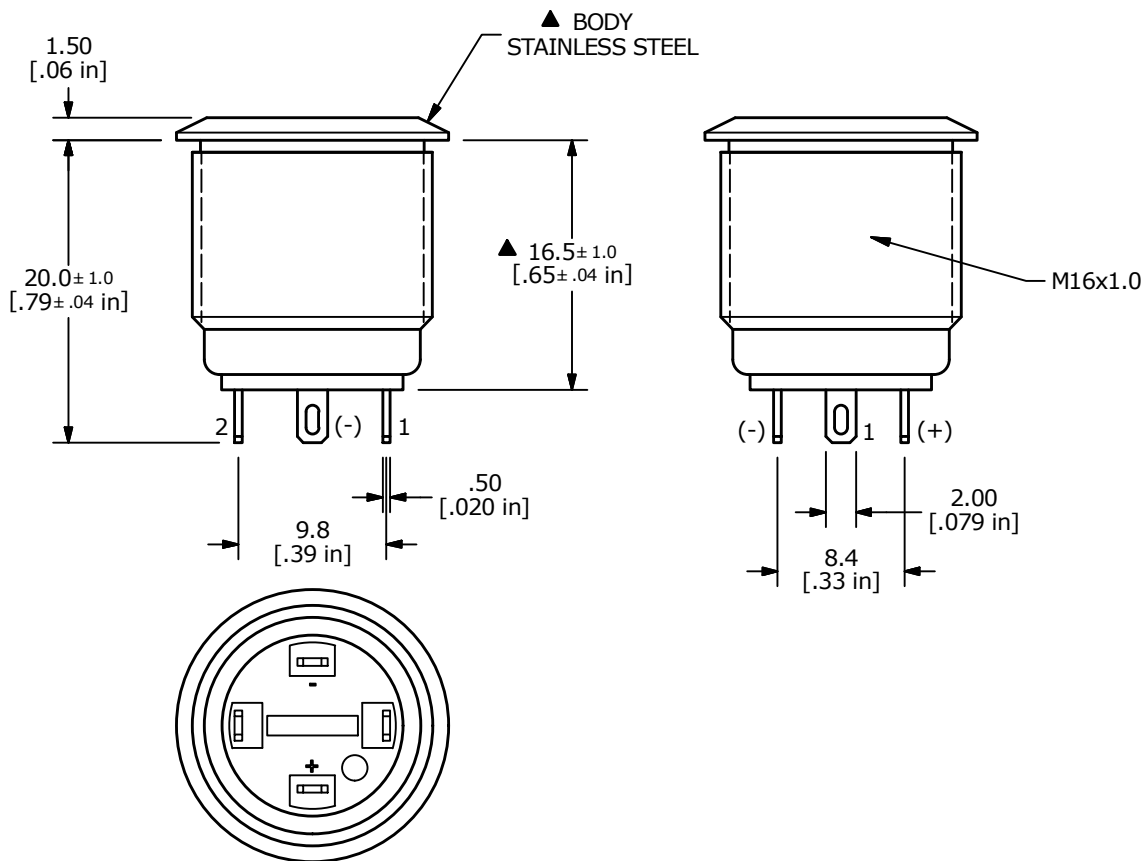
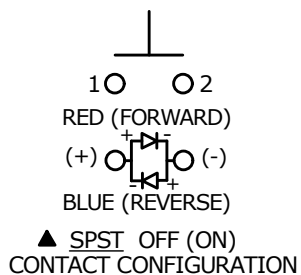


▲ SWITCH FUNCTION

POS. 1	POS. 2
OFF	(ON)
OPEN	1-2

(ON) = MOMENTARY



- NOTE:
- ALL DIMENSIONS IN MM [INCH]
 - GENERAL TOLERANCE: X.X = ±0.4
X.XX = ±0.25
 - TERMINAL NUMBERS FOR REF ONLY
 - ▲ CONTACT MATERIAL: GOLD OVER SILVER PLATED COPPER (AgCdO)
 - RATING: 0.4VA MAX. @ 20V (AC OR DC) MAX.
 - ELECTRIC LIFE: 200,000 MAKE-AND-BREAK CYCLES AT FULL LOAD
 - INSULATION RESISTANCE: 1,000 MΩ MIN.
 - DIELECTRIC STRENGTH: 2,000 VAC MIN. FOR 1 MINUTE
 - CONTACT RESISTANCE: 50mΩ MAX. @ 1A 12VDC
 - OPERATING TEMP.: -20°C to 55°C
 - TRAVEL: 1.8mm
 - ▲ DENOTES CRITICAL PARAMETER.
 - ▲ ILLUMINATION VOLTAGE RATING: RED: 1.8V (FORWARD)
BLUE: 2.8V (REVERSE)
 - ▲ HARDWARE SUPPLIED: O-RING AND HEXNUT (NOT SHOWN)



A	23518	RELEASE FOR PRODUCTION	8/10/18	MW
REV	PCR NO	DESCRIPTION	DATE	BY

TITLE PV6F240SSG-3H1				
SCALE	DATE	DR	DWG	REV
2:1	8/10/2018	MW	52-PV6F240SSG3H1	A

THE INFORMATION CONTAINED IN THIS DOCUMENT IS PROPRIETARY TO E-SWITCH AND IS NOT TO BE COPIED OR TRANSFERRED